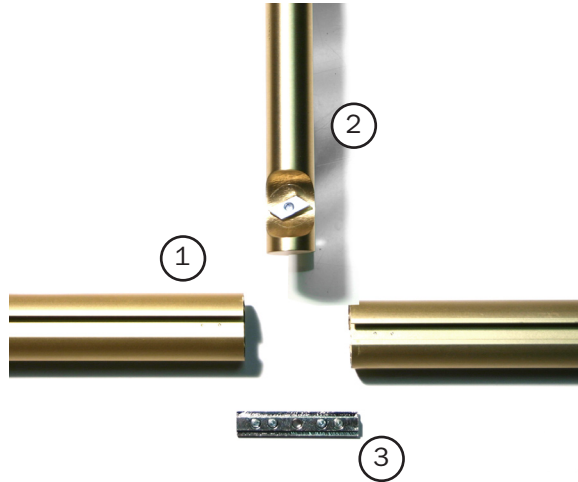


HOW TO

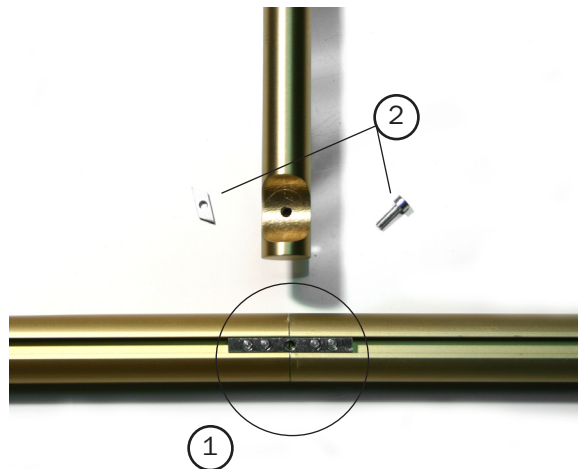
USE A TECHNO BRACKET WITH A TRACK CONNECTOR

visual instruction sheet



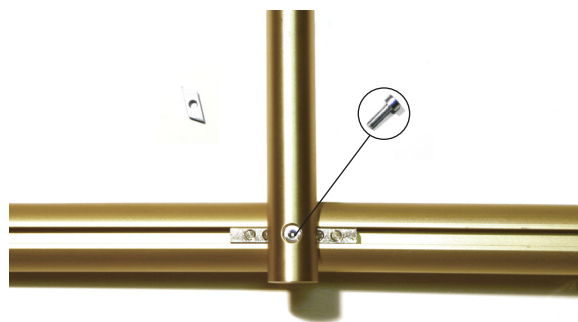
STEP 1: Know the parts.

1. **Techno Track**
2. **Techno Bracket**
3. **Track Connector**



STEP 2:

1. Use the provided allen wrench to connect the two pieces of track together.
2. Remove the screws on the bracket that attach bracket to the track.



STEP 3:

Align the hole in the bracket cutout with the center hole in the track connector and use the screw you removed earlier to affix the track and bracket to one another.

