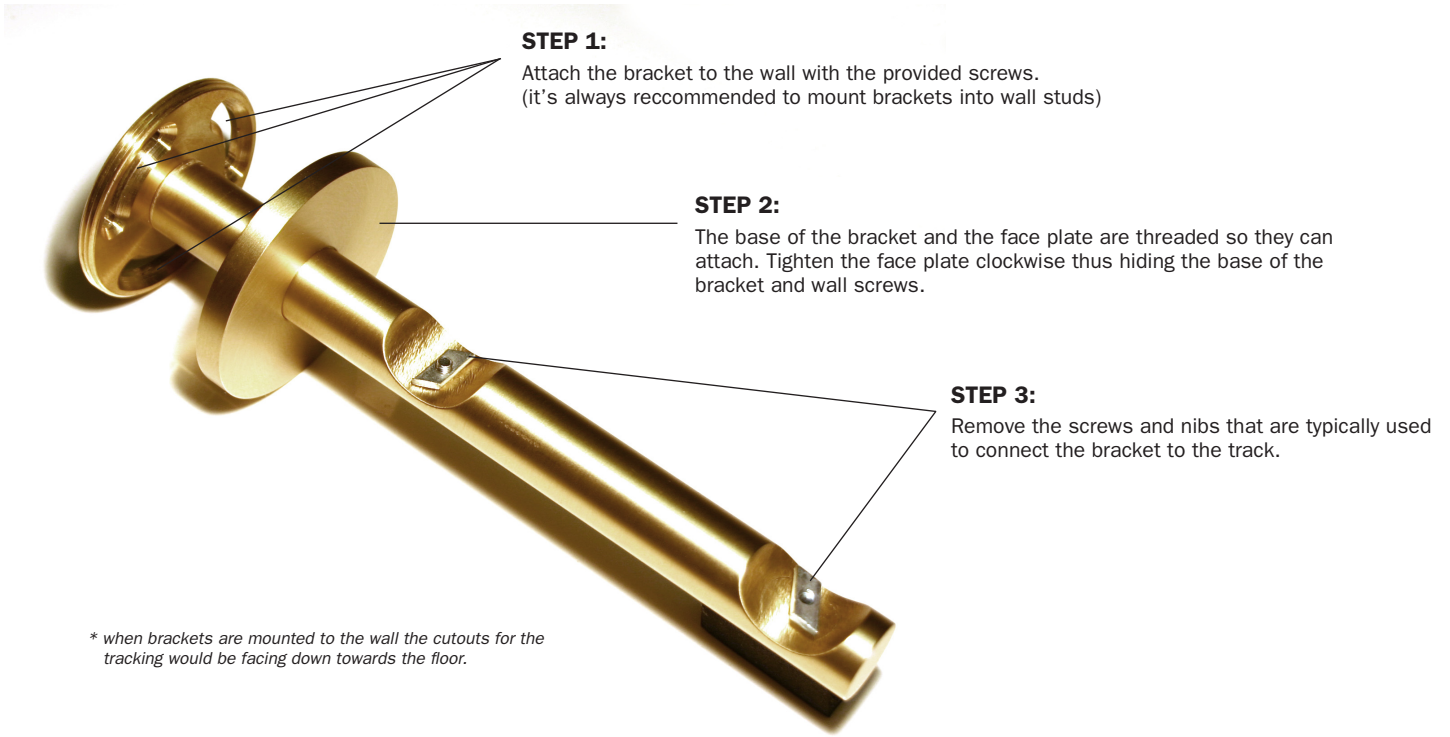


#282727

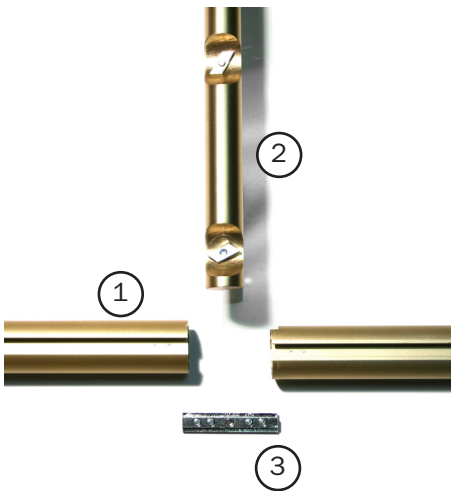
TECHNO EXTENDED DOUBLE BRACKET

visual mounting instructions for using this bracket with a track connector



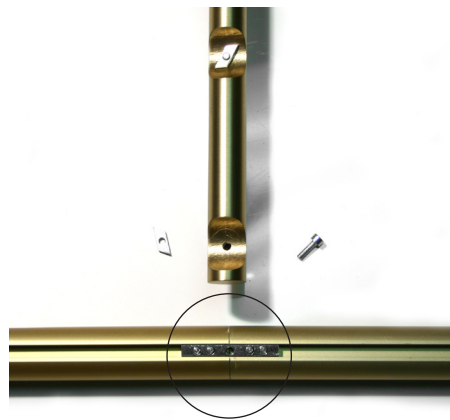
STEP 4: Know the parts.

1. **Track #288080**
2. **Techno Extended Double Bracket #282727**
3. **Track Connector #908993**



STEP 5:

Use the provided allen wrench to connect the two pieces of track together using the track connector #908993. The screw you removed from the bracket cutout threads into the center hole of the track connector.



STEP 6:

Align the hole in the bracket cutout with the center hole in the track connector and use the screw you removed earlier to affix the track and bracket to one another.

